



User Manual

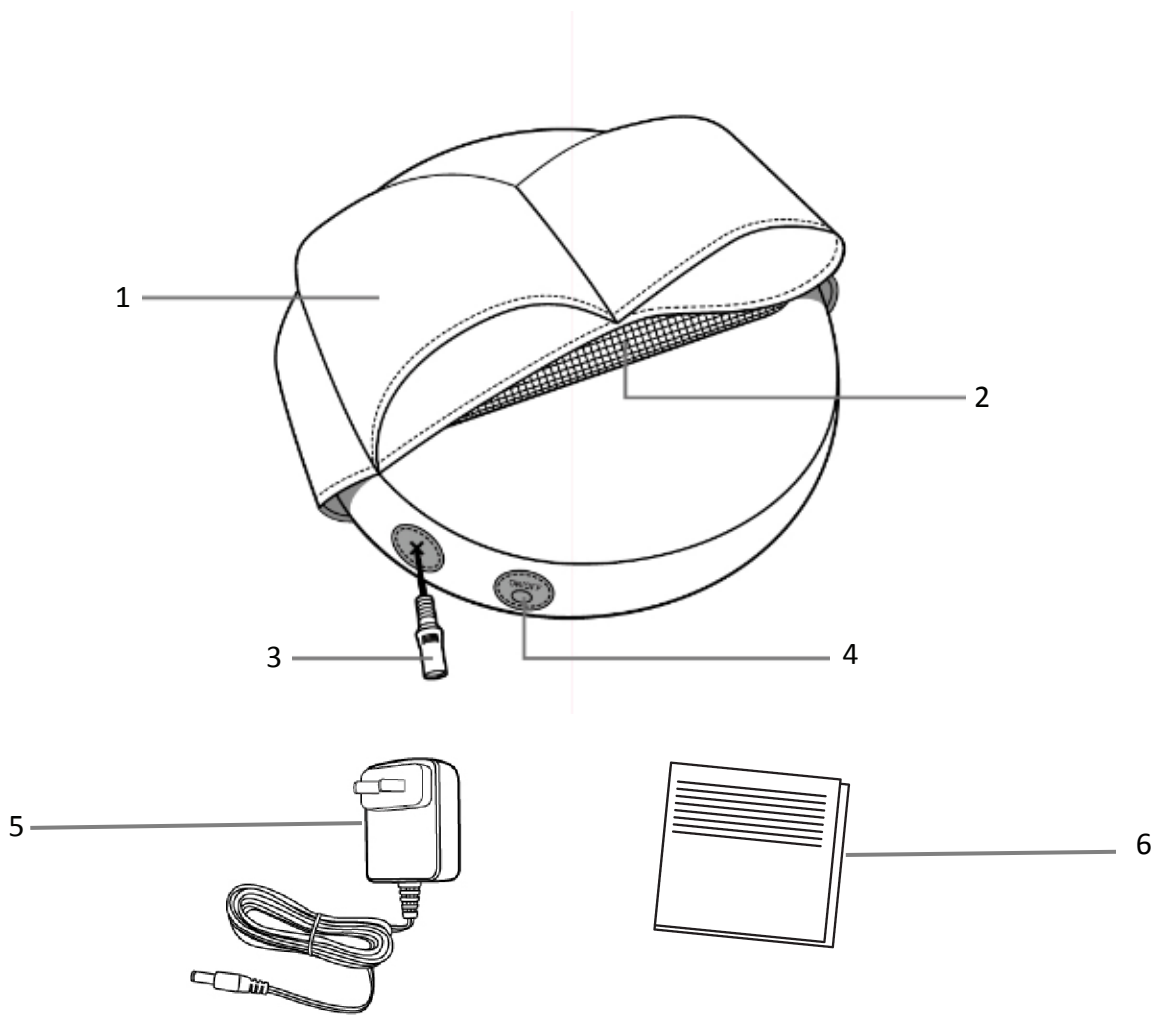
Wahl 3D Shiatsu Massage Allrounder

Model No.: MA -19030

Safety Cautions

1. To ensure the safety and proper use of the product, please read the instructions carefully before use.
2. Use this massager only for its intended use as described in this manual.
3. For adult use only.
4. Consult your physician before using this massager.
5. Always unplug this massager from the electrical outlet immediately after use and before cleaning.
6. Do not cover the product. Do not operate under blanket or pillow. Excessive heating can occur and cause electric shock or injure people.
7. Stop operation immediately if you experience any discomfort.
8. Never operate this unit if it; has a damaged cord or plug, is not working properly, has been dropped, damaged, or exposed to water. If the unit's power supply cord or plug is damaged, do not attempt to fix it by yourself.
9. Do not use attachments that are not recommended by the manufacturer.
10. Never insert any object inside the product.
11. The product is not intended for use by children or people with reduced physical, sensory or mental capabilities, or lack of experience and knowledge, unless they have been given supervision or instruction concerning use of the product by a person responsible for their safety. Unless they are supervised by someone responsible for their safety.
12. Do not use products in damp or dusty environment to avoid product malfunction.
13. Do not place the product outdoors.
14. Please consult with the doctor before use, if you:
 - Use a medical electrical device, which is embedded in the body, such as pacemakers.
 - Suffer from malignant tumors
 - Suffer from heart disease.
 - Are pregnant, after delivery or in a period monthly illness
 - Have a high degree of peripheral obstruction caused by diabetes
 - Are suffering from skin trauma
 - Have a body temperature over 38°C (fever)
such as: acute inflammation symptoms (burnout, aversion to cold, blood pressure changes)
 - Have osteoporosis, vertebral fractures, sprains, muscle strain, acute disease
 - Your spine presents any abnormality
15. Do not use wet hands to connect or disconnect the power plug from the electrical outlet.
16. Do not place, drop or submerge in water or other liquid.
17. Do not operate for more than 20 minutes continuously.
18. Never leave the unit unattended, especially if children are present.
19. Do not fall asleep while using the product

Product Description



1. Fixing band
2. Massage area
3. DC Power Jack
4. Power Button
5. Adapter
6. User Manual

Preparation for Use

1. Check and make sure the product is intact.
2. Connect the adapter and DC connection of the unit, then connect the power supplier.
3. Put the massage cushion on the comfortable part of body and assure the safety for placement.
4. Caution! Do not place massager on or near face or sensitive areas.

How to Operate

1. Press the Power button once to turn on the massager with heating function. The massage balls rotates with red light.
2. Press the Power button twice to turn off heating. The massage balls rotates without light.
3. Long press the Power button to turn the massager off.

Note: Massager automatically shuts off after 15 minutes of continuous use.

Maintenance

Cleaning

1. Before cleaning, turn the massager off and unplug the plug from the power outlet.
2. Wipe dust and dirt off the product with a dry, soft cloth after use.
3. Do not wash or soak product.

Storage

1. Unplug the plug from the power outlet.
2. Place the massager in a safe, cool and dry place when not in use.
3. Do not put a heavy load on the unit.
4. Store out of the reach of children.

Troubleshooting

This page summarizes the most common problems you could encounter with the product. If you are unable to solve the problem with the information below, please contact us immediately. Please do not disassemble or repair the product yourself.

Problem	Possible Cause	Action
The product does not work.	The product is not connected with the adapter properly.	Check the connection between the adapter cord plug and the unit jack.
	The Power button is off.	Turn the Power button on.
	The product has just finished its 15 minutes auto timer session.	If you want another session, please press the Power button to turn the product on.
	The product has been used continuously for a long time, then the overheat protection has been activated.	Unplug the product and Let it cool down before using it again.
	An excessive load has been applied on the product.	Reduce the excessive load and start again.
The product is abnormally warm.	The product is likely to be overused.	Unplug the product and Let it cool down before using it again.
Noise can be heard from the product.	Noise is made by the mechanical parts of the product.	This is normal and does not mean that the product is faulty.

Specification

Name of Product:	Wahl 3D Shiatsu Massage Allrounder
Model No.:	MA-19030
Rated Voltage:	AC 100-240V / 50/60Hz
Power Output:	DC 12V / 1A
Power Consumption:	30W
Auto Timer:	15 minutes